



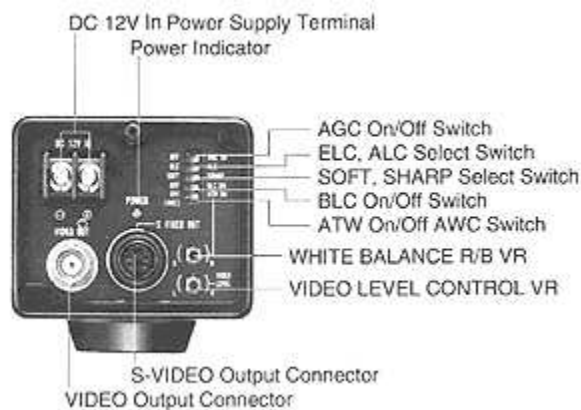
## GP-KR222 1/2" digital signal processing camera



The GP-KR222 1/2" digital signal processing camera features the second generation DSP chip which has been approved worldwide in the professional video field.

The GP-KR222 provides excellent color reproduction to be suitable for microscope or other medical/industrial applications. Video signals are internally processed and digitized R/G/B signal is separate so that color reproduction is well-balanced which is critical in microscopic application.

The GP-KR222 incorporates a 1/2" interline transfer CCD (380,000 pixels: effective) with a micro lens on each pixel which achieves high sensitivity of 3 lux at F1.4, outstanding 480-line horizontal resolution, and signal-to-noise ratio of 50dB. Panasonic GP-KR222 gives you the edge of high technology digital camera.



[Contact Us For More Information](#)

## FEATURES

- 1/2" interline transfer CCD with 768 (H) x 494(V) pixels
- 480-line horizontal resolution
- Minimum scene illumination of 3 lux at F1.4
- Signal-to-noise ratio of 50dB
- Digital signal processing circuit enables excellent picture quality and advanced functions
- A variety of advanced light control functions: --Electronic Light Control (ELC) and Backlight Compensation (BLC)
- C or CS-mount selectable
- S-VHS (Y/C) & Standard NTSC Composite output
- Selectable aperture level
- Auto Gain Control
- 12 Volt DC operation

## SPECIFICATIONS

Camera System	NTSC
Pick-up Device	768 (H) x 494 (V) Pixels, interline transfer CCD

Scanning Area	525 lines/60 fields/30 frames horizontal 15.734kHz, Vertical 59.94Hz
Scanning System	2:1 interlace
Synchronization	Internal
Video Output	1.0Vp-p NTSC composite / 75 ohms
Horizontal Resolution:	480 TV lines
S/N Ratio	S/N Ratio: ----- 50dB (min.) (luminance S/N) (at AGC off, weight on)
Minimum Illumination	2 lux at f1.2 (3 lux at f1.4)
AGC (Automatic Gain Control)	Selectable on and off (approximately 14dB)
White Balance	Selectable ATW and AWC (with white balance R/B VR)
Aperture	Selectable - SOFT (off) / SHARP (on)
Electronic Light Control	Equivalent to continuous variable shutter speed between 1/60s and 1/15700s (with video level VR)
Lens Mount	Selectable C-mount and CS-mount
Auto Iris Lens Type	DC Type Auto-Iris
BLC (Backlight Compensation)	Selectable normal and backlight control
Y/C Out	Y out (1.0Vp-p/75 ohms); C out (0.286Vp-p/75 ohms burst level)
Power Requirements	10.8 to 16 Volts D.C.
Dimensions(excluding lens)	2 1/8" H x 2 5/8" W x 4 13/16" D
Weight	460g (1 lbs.)
Operating Ambient Temperature	+14°F~+122°F (-10°~50° C)

[HOME](#)
[BACK](#)