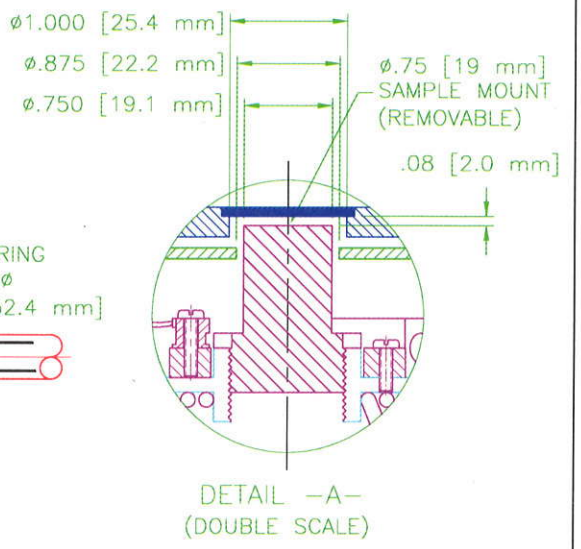
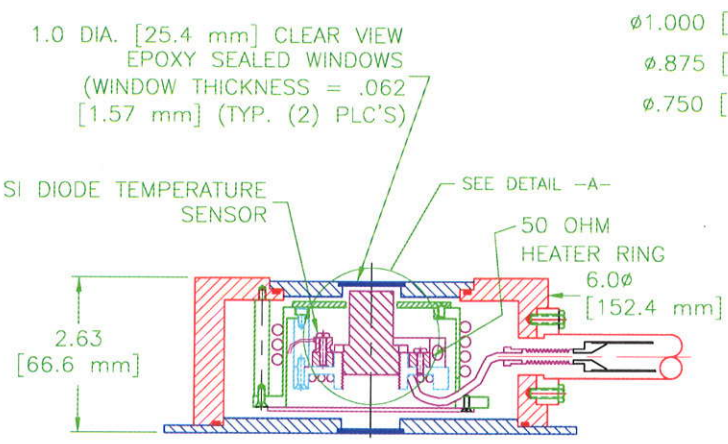
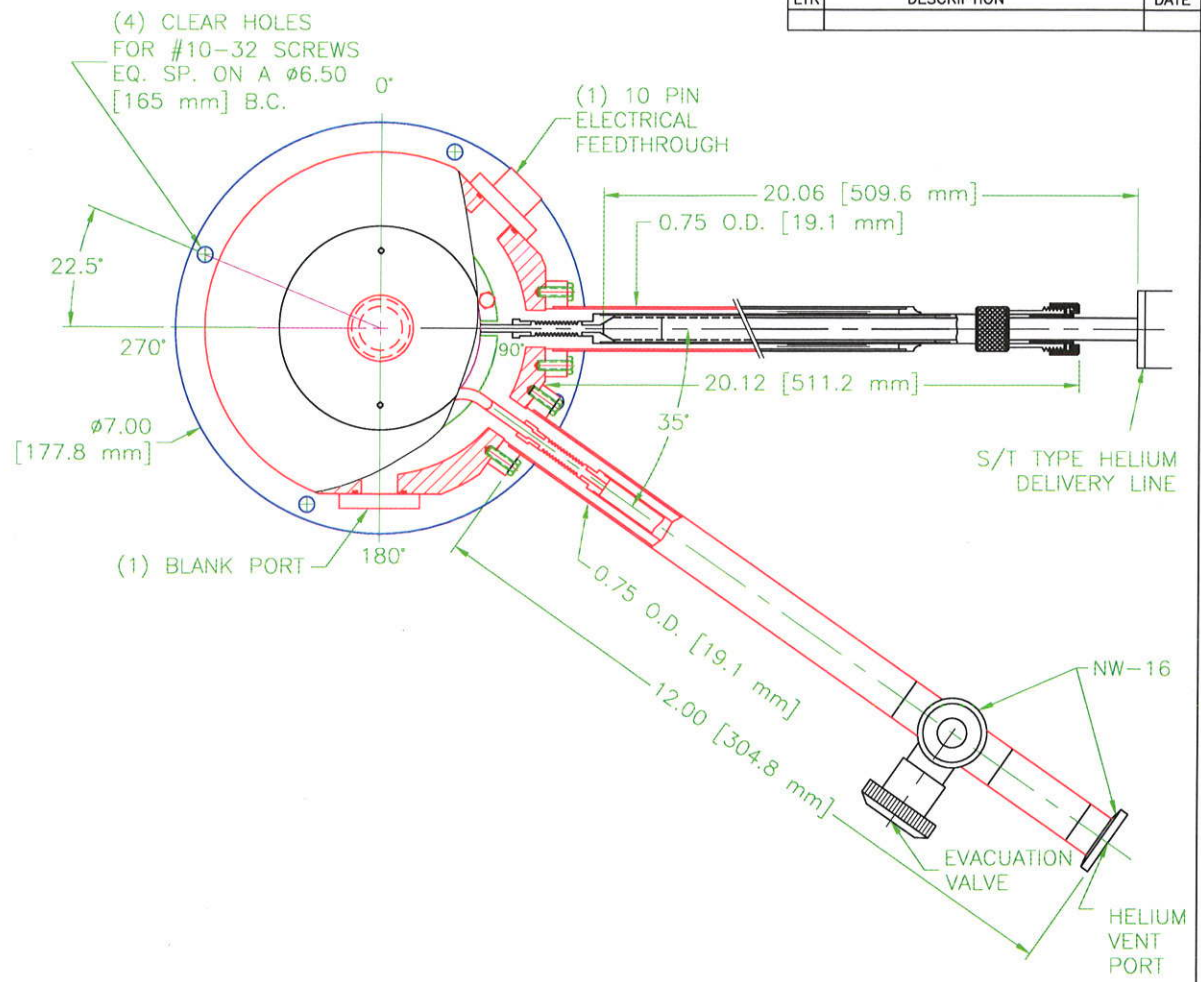


REVISIONS		
LTR	DESCRIPTION	DATE

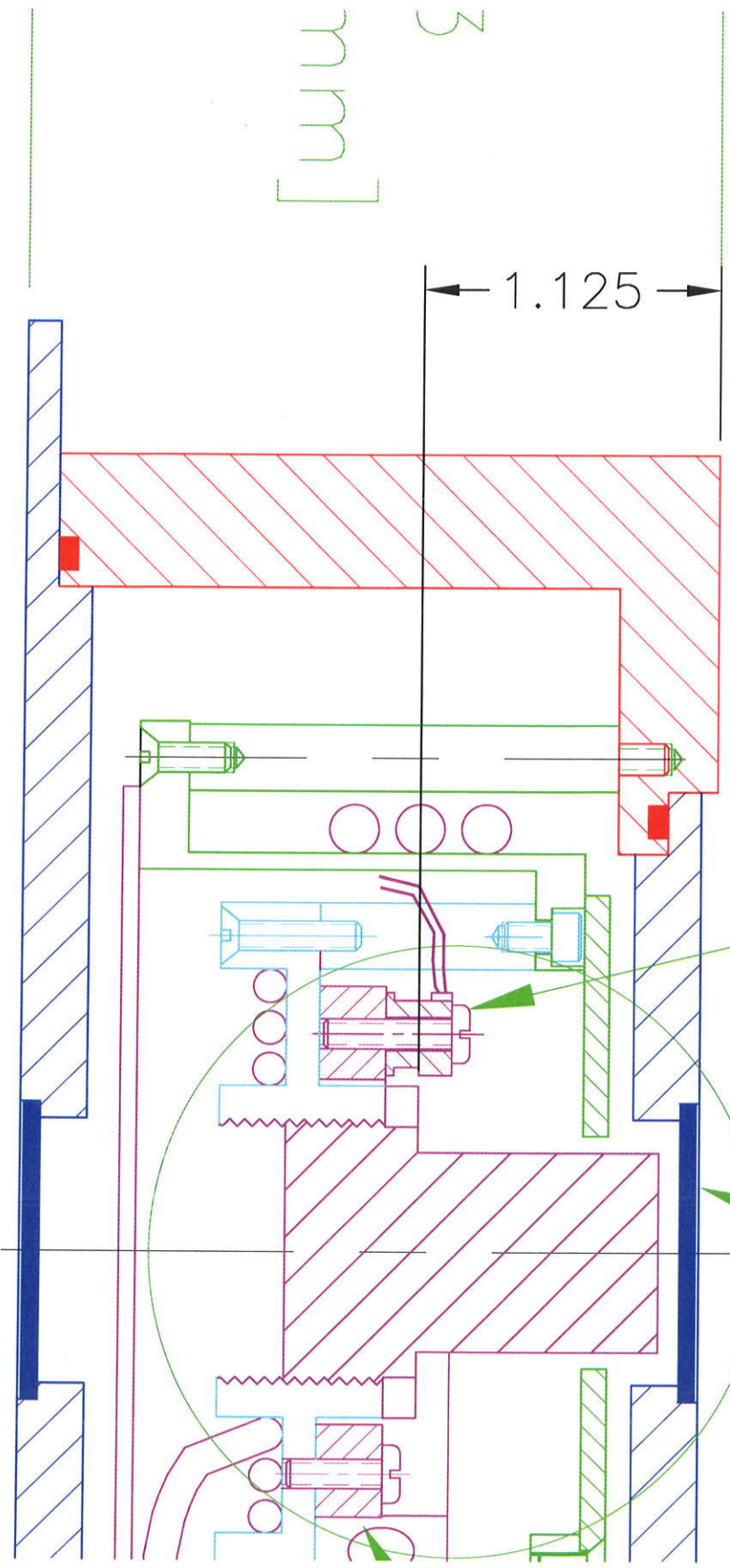


NOTE: ALL DIMENSIONS ARE IN INCHES

CONFIDENTIAL AND PROPRIETARY
 THIS DRAWING AND/OR INFORMATION CONTAINED HEREIN IS THE SOLE PROPERTY OF THE JANIS RESEARCH COMPANY AND IS NOT TO BE RELEASED OR DIVULGED TO THIRD PARTIES WITHOUT THE EXPRESSED, WRITTEN CONSENT OF THE JANIS RESEARCH COMPANY, INC.

APPROVALS			JANIS RESEARCH CO. WILMINGTON, MA.	
DEPT.	SIG.	DATE	TITLE	
DWN BY	H.Z.	06/04/08	MODEL ST-500 MICROSCOPE CRYOSTAT	
CHK BY			SIZE	DRAWING NO.
ENG.			D	D06-04-08A
Q.C.			REV.	
RELEASED TO MFG. BY			P. N.	SCALE: FULL
CUST. APPROVAL BY				SHT 1 OF 1

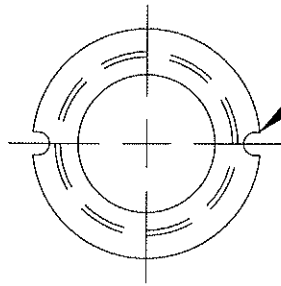
TEMPERATURE
SENSOR



VENDOR NOTES:

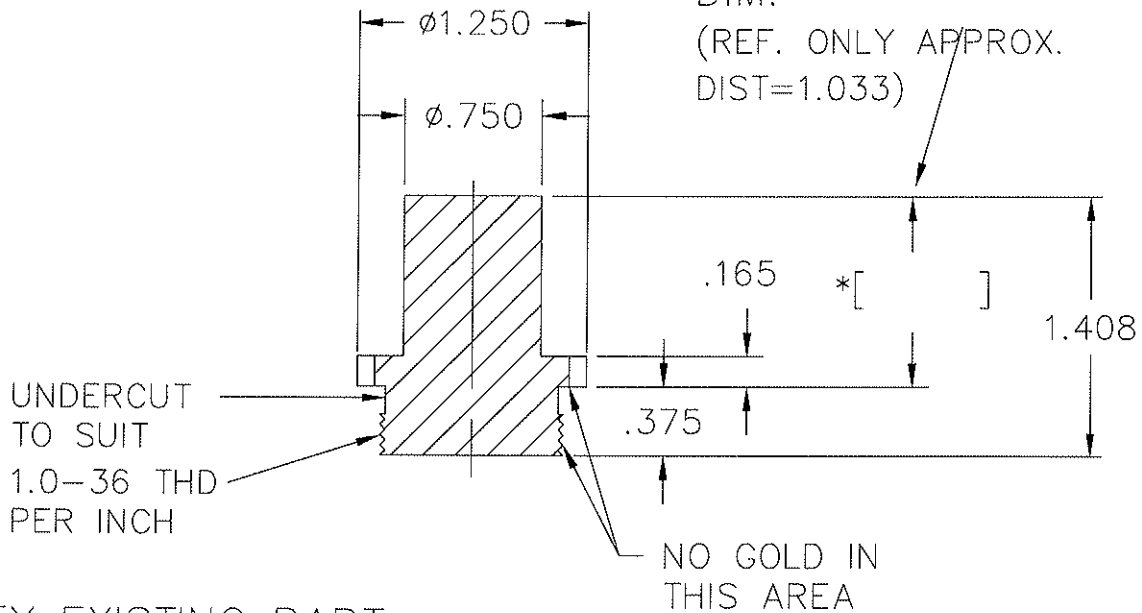
1. ANY RAW MATERIAL LEFT IS 'UNACCEPTABLE'.
2. NO TOOL OR CHATTER MARKS ALLOWED.
3. ALL BUFFING WILL BE DONE AT JANIS INC.
4. ALL FINAL FINISH & GOLD PLATING by JANIS INC.

REVISIONS		
LTR	DESCRIPTION	APP'D. DATE
A	CHANGED FROM 1.83mm TO 2mm	03/25/08



(2) 1/8 ϕ SLOTS THROUGH ON A 1.187 DIA. B.C.

* LAB TO GIVE FINAL DIM.
(REF. ONLY APPROX. DIST=1.033)



MODIFY EXISTING PART FROM INVENTORY
88/A88-0021

TRIM AT ASSEMBLY BEFORE GOLD PLATING
GOLD PLATE OVER NICKEL (0.000015)

FINISH NOTE: IF RAW STOCK IS SAME AS FINISHED DIMENSION OF PIECE, SAND AND/OR BURTEX O.D. OR I.D. OF PIECE TO A UNIFORM LIGHT TEXTURE REMOVING THE RAW MAT'L (SCALE) OF STOCK	UNLESS OTHERWISE SPECIFIED DIMENSIONS ARE IN INCHES TOLERANCES .X = ± 0.03 .XX = ± 0.010 .XXX = ± 0.005 1/X = $\pm 1/32$ X' = $\pm 1/4$ FINISH 63/ MAT'L: CU(OFHC) SHT 1 OF 1	APPROVALS			JANIS RESEARCH CO. WILMINGTON, MA.			
		DEPT.	SIG.	DATE	TITLE SAMPLE MOUNT FOR 2.00 mm DISTANCE TO INSIDE OF WINDOW			
USED ON ASSEMBLY		DWN BY	H.Z.	03/20/08	ITEM NO.	SIZE	DWG. NO.	REV.
		CHK BY				A	25739	A
		ENG.			J.O. NO.	SCALE:	QTY:	
		Q.C.			11917	FULL		
		RELEASED TO MFG. BY						
		CUST. APPROVAL BY						