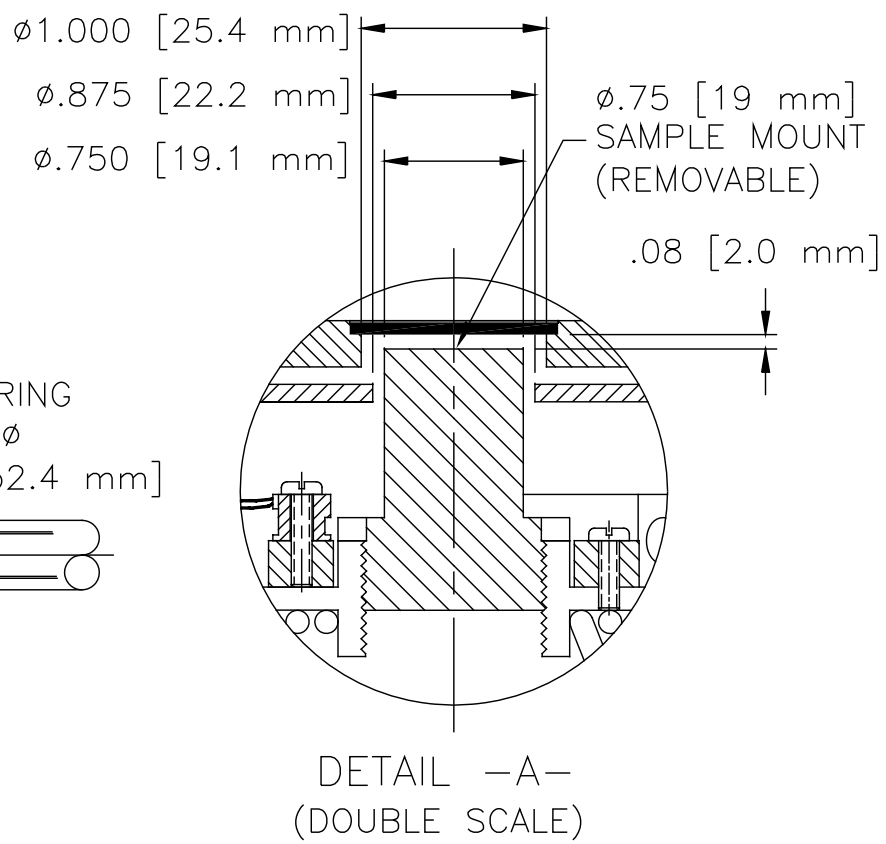
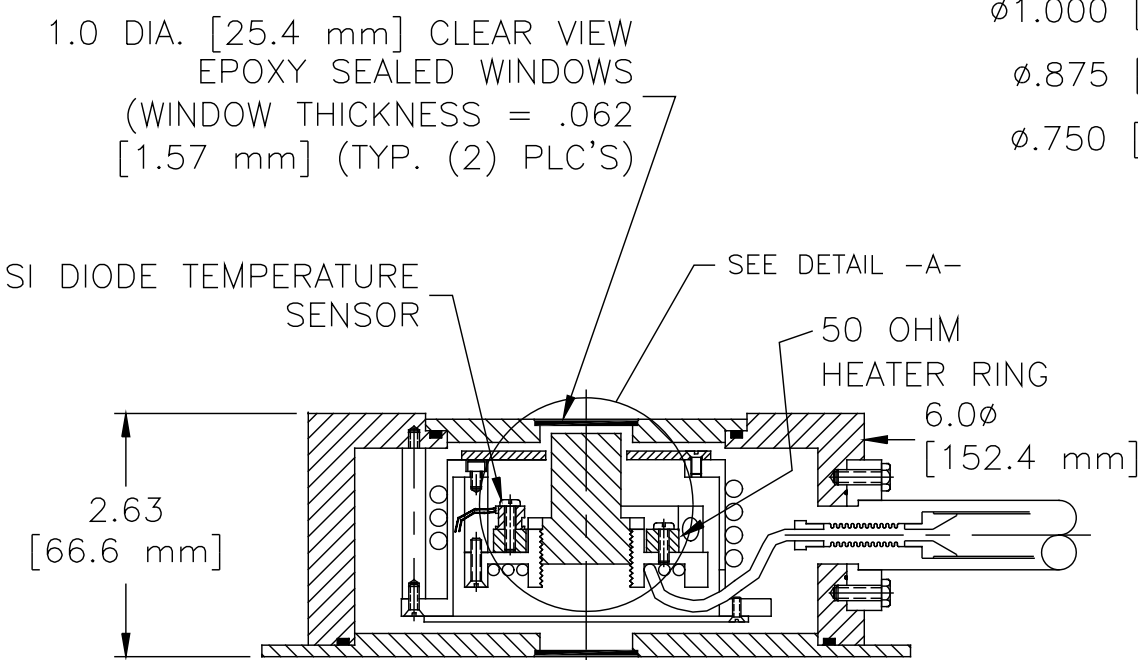
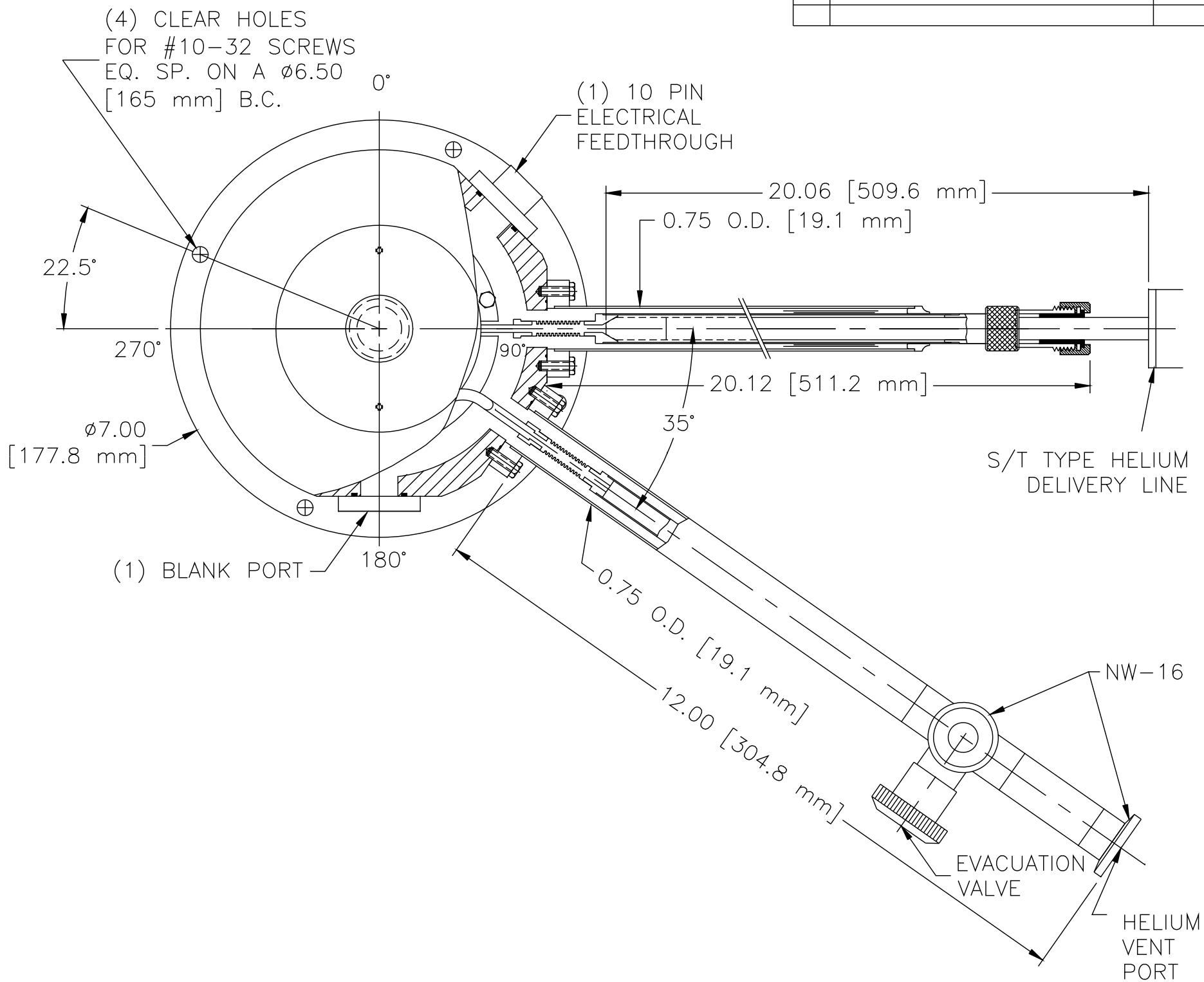


REVISIONS		
LTR	DESCRIPTION	DATE



NOTE: ALL DIMENSIONS ARE IN INCHES

CONFIDENTIAL AND PROPRIETARY

THIS DRAWING AND/OR INFORMATION CONTAINED HEREIN IS THE SOLE PROPERTY OF THE JANIS RESEARCH COMPANY AND IS NOT TO BE RELEASED OR DIVULGED TO THIRD PARTIES WITHOUT THE EXPRESSED, WRITTEN CONSENT OF THE JANIS RESEARCH COMPANY, INC.

APPROVALS		
DEPT.	SIG.	DATE
DWN BY	H.Z.	06/04/08
CHK BY		
ENG.		
Q.C.		
RELEASED TO MFG. BY		
CUST. APPROVAL BY		

JANIS RESEARCH CO. WILMINGTON, MA.		
TITLE MODEL ST-500 MICROSCOPE CRYOSTAT		
SIZE D	DRAWING NO. D06-04-08A	REV.
P. N.	SCALE: FULL	SHT 1 OF 1