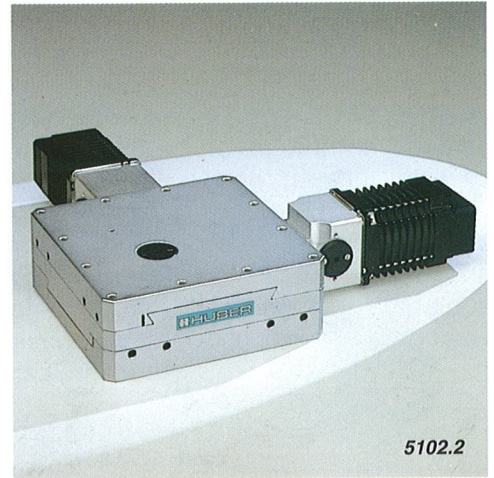


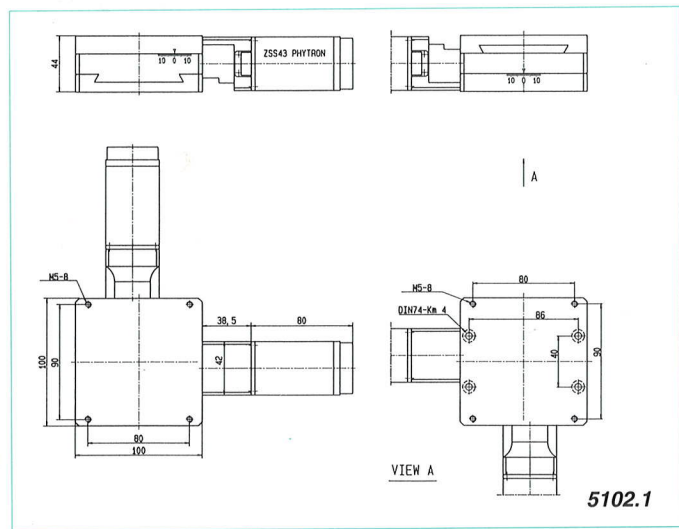
5102.1



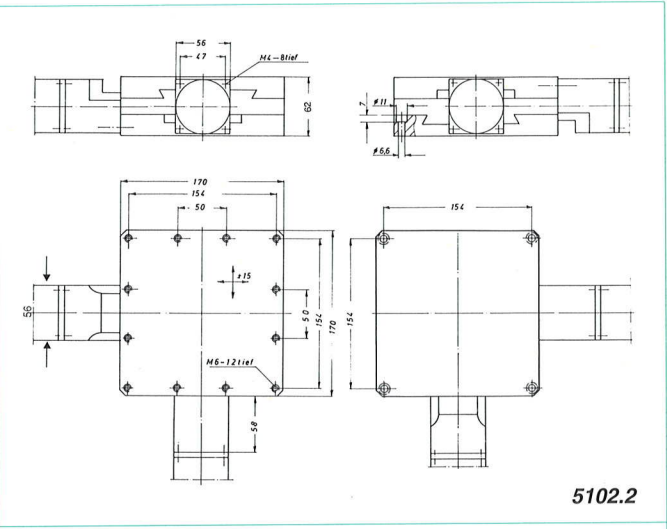
5102.2

8-10-E

	Degree of Freedom		Mounting Area mm ²	Travel mm	Weight (excl. Mot.) kg	Vertical Load Capacity kg	Spindle		Vertical Ripple ± μm
	X	Y					Slope mm/T	Error ± μm	
5102.1	*	*	100 x 100	24	2,5	50	1	5	1
5102.2	*	*	170 x 170	30	11	200	2	5	1
5102.3	*	*	250 x 250	30	11	200	2	5	1



5102.1

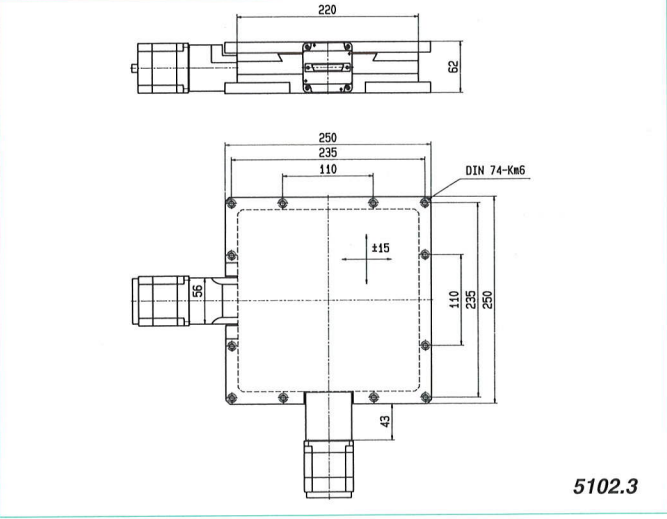


5102.2

XY-Stages 5102

The whole body of 5102.1 and .2 is made of bronze, while in the 5102.3 only the dovetails are of the same material. The remainder of the body is made of aluminum, to reduce the overall weight. The first ones have a Chromium surface finish, the largest one is painted green and has a aluminum mounting surface. Limit switches are included in the larger ones, in the smallest they are optional. Zero Point Control 9100 fits into the larger ones, at option.

Model 5102.2 can be combined with Circle Segment 5202.1 or 5203.2. Model 5102.1 fits on Circle Segment 5203.1.



5102.3