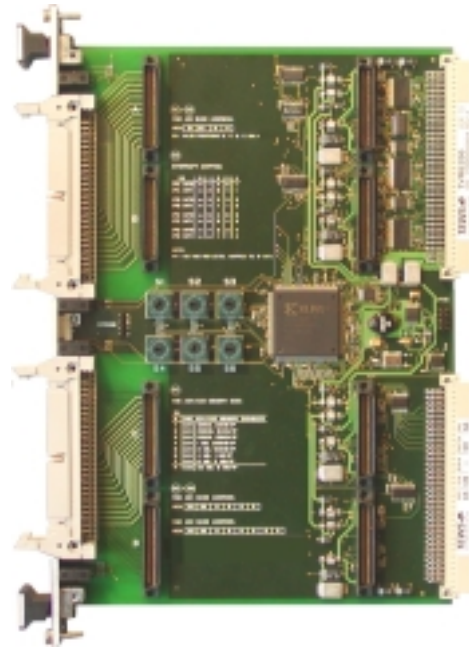
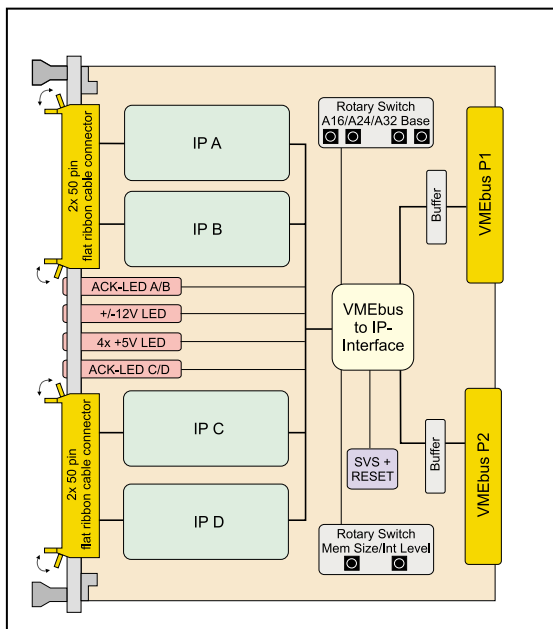


Features

- 6U VMEbus board
- 4 IP slots
- Self Healing fuses and RF-filtering on all IP power lines
- RF-filtering on all IP power lines
- Extended temperature range



VIPC626-ET



The VIPC626-ET is a 6U VMEbus carrier for up to four single-size or two double-size IndustryPack (IP) modules that allows you to build modular, flexible and cost-effective I/O solutions for a variety of applications such as process control, medical systems, telecommunication and traffic control.

Four 50-pin, 0.1 inch flat ribbon cable connectors mounted in the front panel of the VIPC626-ET provide access to all IP I/O lines. Status indicators for IP access, +5V and +/-12V are provided.

A set of 16-position rotary switches allows easy configuration of VME Short I/O and Memory addresses. Interrupt routing from the IP slots to the VME IRQs can be accomplished in two ways: programmable by software or selection of predefined sets by a rotary switch.

The IP power lines are fuse protected by self healing fuses and RF filtered. The operating temperature range is -40°C and +85°C.

Specifications

Form Factor	VMEbus board, 6U
VMEbus Slave Interface	Short I/O: A16, D08/16, size: 1 Kbyte; Standard Memory: A24, D08/16 Size: programmable, 32 Kbytes to 2 Mbytes per IP; Extended Memory: A32, D08/16; Size: fixed, 8 Mbytes per IP
Interrupts	IRQ1-7
Compliance	ANSI/VITA 4-1995 compliant interface to IndustryPack modules
IndustryPack slots	Four single-size or two double-size with front panel I/O; 8 MHz interface, no DMA; Routing of IP Interrupt Levels to VME IRQ1-7: programmable by software or selection of predefined sets by a rotary switch;
I/O access	50-pin, 0.1 inch flat ribbon cable connector per IP mounted in front panel
Front panel	EMI
Status LEDs	ACK LED for each IP; +5V Power LED for each IP slot +12V and -12V Power LED
Environmental	Operating temperature: -40° to +85°C Humidity: 5 to 95% non-condensing Storage: -40 to +85°C

Corporate Headquarters

2400 Louisiana Blvd. NE, #5-600
Albuquerque, NM 87110-4316
Tel 505.875.0600 Fax 505.875.0400
Email info@sbs.com

European Headquarters

Memminger Str. 14
D-86159 Augsburg, Germany
Tel +49-821-5034-0 Fax +49-821-5034-119
Email sales@sbs-europe.com

Specifications subject to change without notice. All trademarks and logos are property of their respective owners.
©2003 SBS Technologies, Inc. 20030321

For additional contact information, please visit our web site at www.sbs.com

