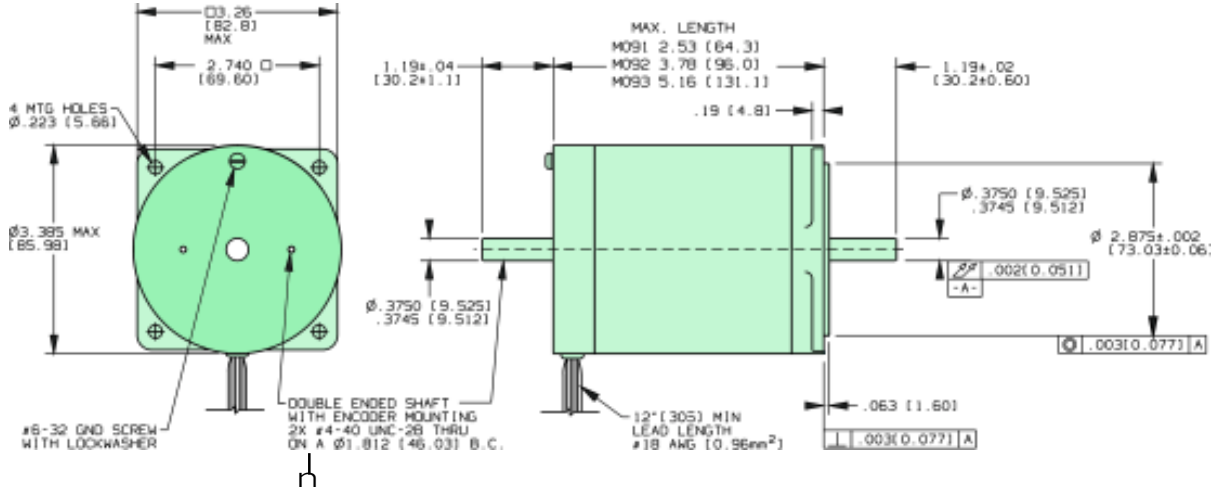
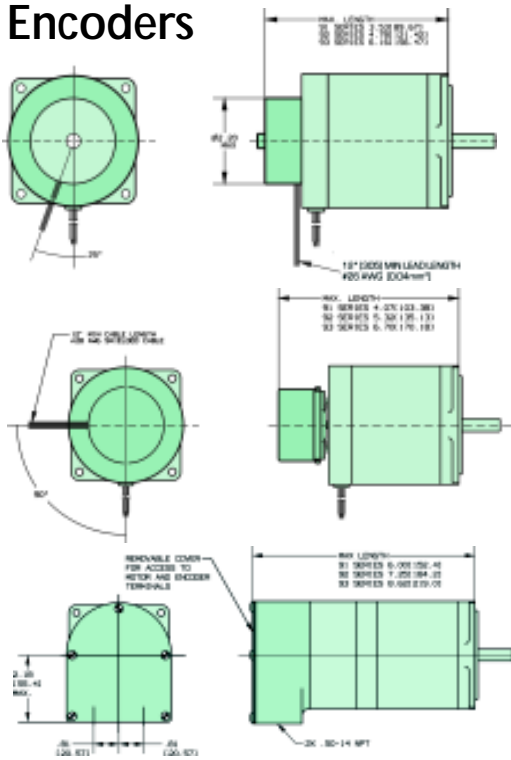


## Motor Dimensions



Add "E" to model number for double ended shaft. Example: M092-LS08E

## Encoders



### Add to Model Number:

C

500

6

#### Pulses per Revolution

200, 400, 500, or 1250

#### Number of Outputs

2 A, B (not available with 1250)  
 3 A, B, Index (not available with 1250)  
 6 A, B, Index, A, B, Index  
 Differential Line Drivers supplied with 6 outputs

M091-LE08C2003

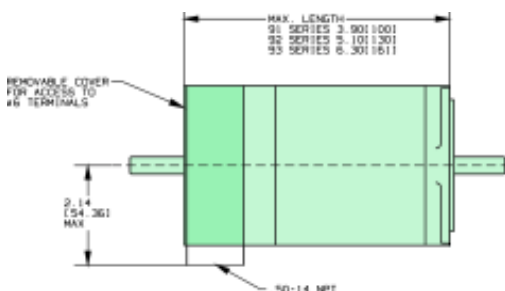
single stack, eight leads, 8 amps, 200 pulse encoder with A, B outputs

M092-LS09C12506

double stack, six leads, 9 amps, 1250 pulse encoder with 6 outputs.

(consult factory for encoder with terminal box)

## Terminal Box



### Change Model Number:

Example: M092-TE09 (double stack, terminal box, eight leads, 9 amp winding)

(consult factory for encoder with terminal box)