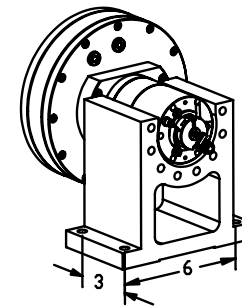
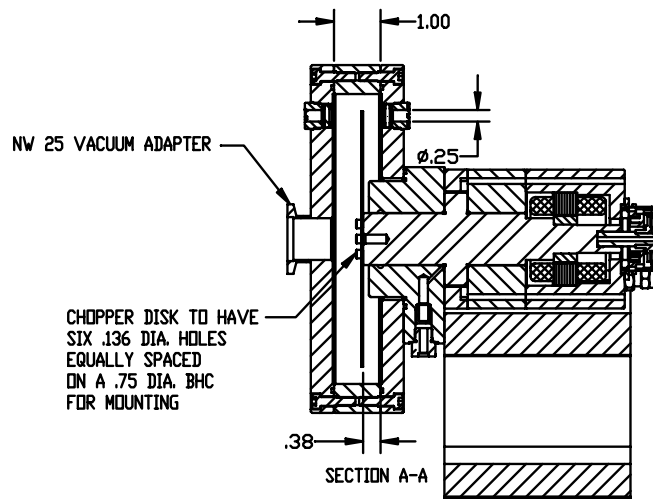
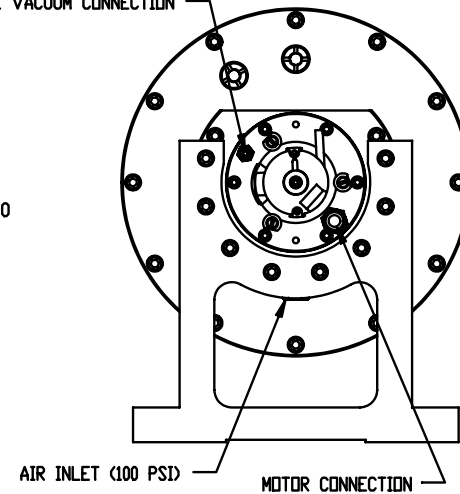


VACUUM GROOVE EXHAUST
OPTIONAL VACUUM CONNECTION



TOLERANCES UNLESS OTHERWISE SPECIFIED		PROFESSIONAL INSTRUMENTS COMPANY 4801 HIGHWAY #7, MINNEAPOLIS, MINNESOTA 55416		
DECIMAL ± .002	FRACTIONAL ± 1/32"	SCALE 1/2	DRAWN BY R. FUCHS	
.0X ±.01			APPROVED BY	
.00X ±.005				
DRILLED HOLES DEPTH TO FULL DIAMETER		TITLE CHOPPER DISK SPINDLE WITH VACUUM CHAMBER		
DIAMETER +.010 -.005		DATE 9/8/2004	DRAWING NUMBER 30-61911-565	REV
EXTERNAL SURFACES	ANGULAR ± 5°			