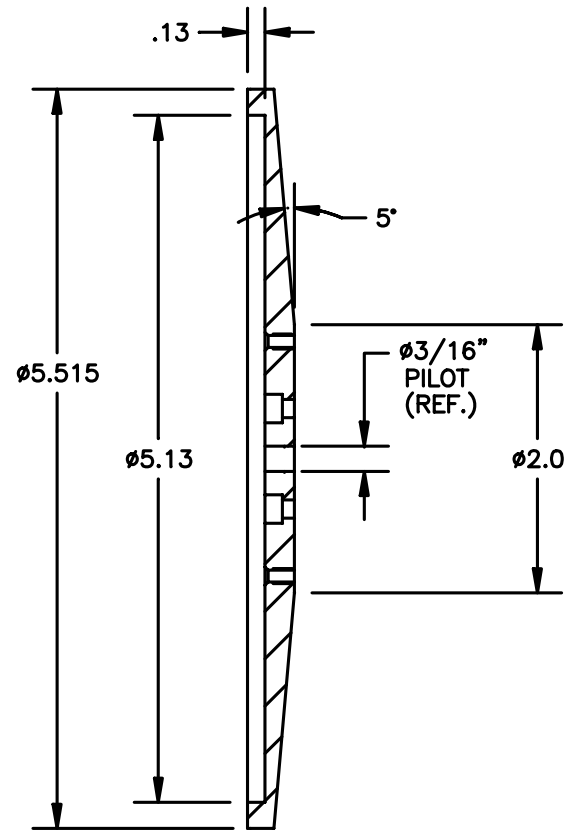
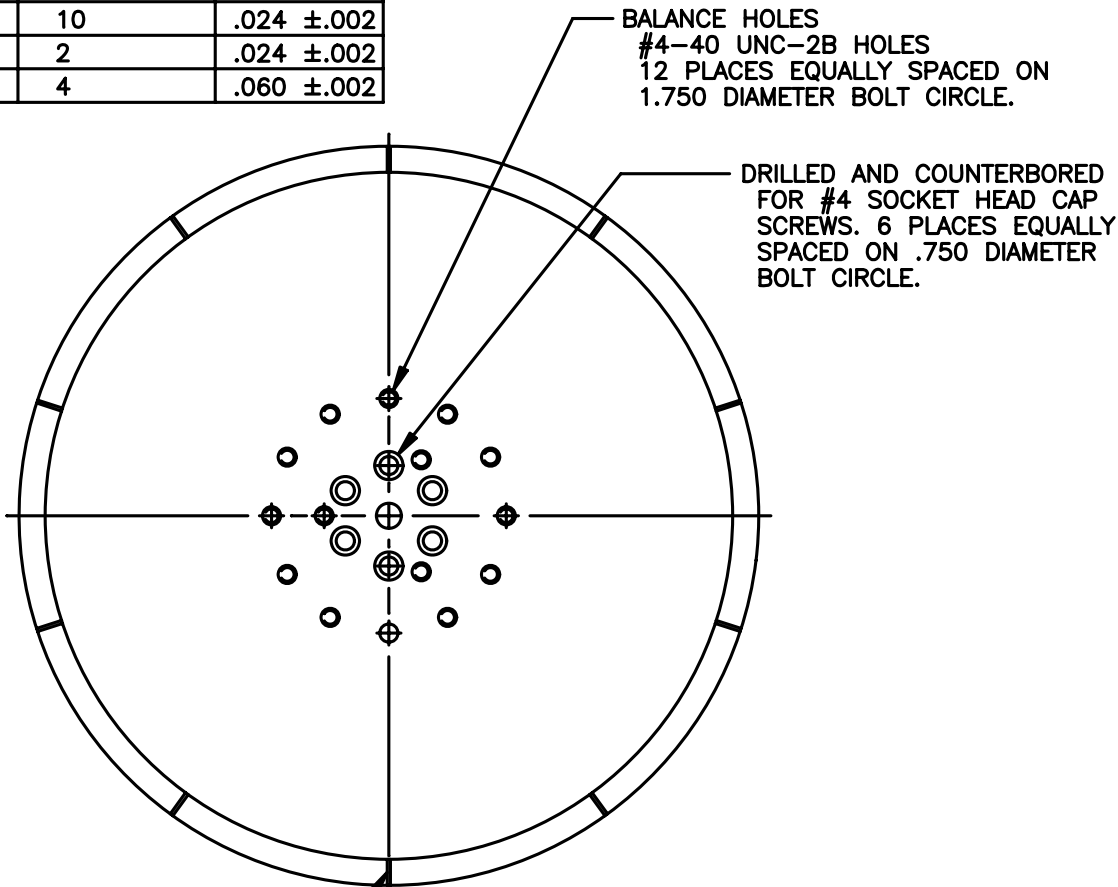


TABULATION	"#" OF SLOTS	"W" WIDTH
-795-01	10	.024 ±.002
-795-02	2	.024 ±.002
-795-03	4	.060 ±.002



"W" WIDE SLOT X
.100 ±.005 DEEP
"#" PLACES EQUALLY SPACED ON
FACE AS SHOWN
±80 ARC SECONDS

TOLERANCES UNLESS OTHERWISE SPECIFIED		PROFESSIONAL INSTRUMENTS COMPANY 4601 HIGHWAY #7, MINNEAPOLIS, MINNESOTA 55416		
DECIMAL X ±.02 XX ±.01 XXX ±.005	FRACTIONAL ± 1/32"	MATERIAL: TITANIUM	SCALE 1=1	DRAWN BY J. NEHER
DRILLED HOLES DEPTH TO FULL DIAMETER DIAMETER +.010 -.003		TITLE FACE CHOPPER WHEEL		
EXTERNAL SURFACES 64/	ANGULAR ±	DATE 1/23/2007	DRAWING NUMBER 20-61911-795	REV